



DC6688F2T-EVK Manual

Document Revision 1.0

January, 2015

Contents

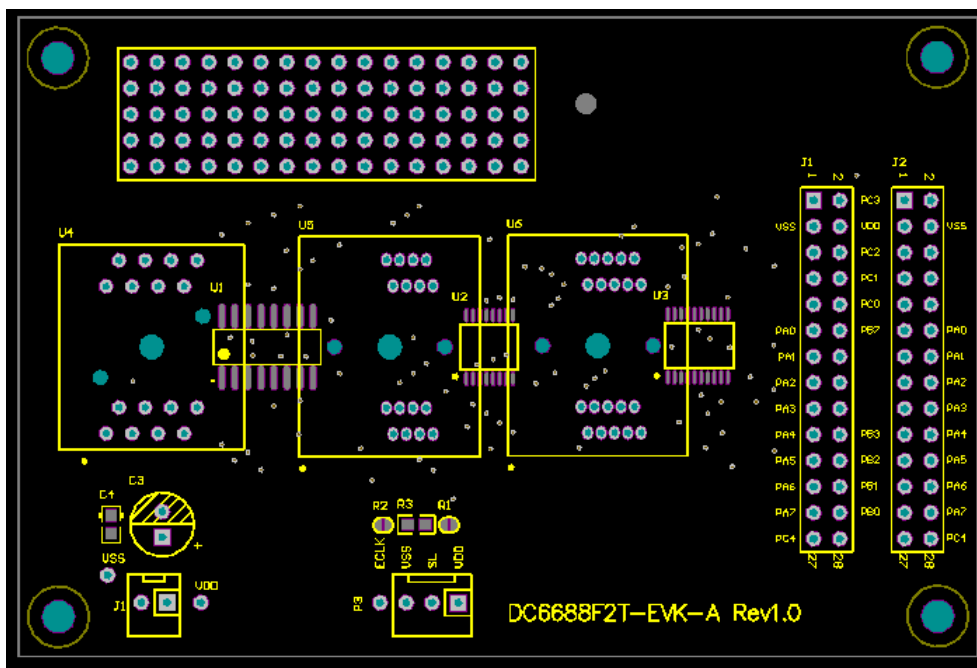
1	INTRODUCTION	3
2	PIN HEADER TO TARGET BOARD	4
3	IC PLACEMENT	5
4	SL PROGRAMMING	6
5	SCHEMATICS.....	7
	REVISION HISTORY.....	9

1 Introduction

The Objective of this document is to provide the user a quick start to use DC6688F2T-EVK to download code to device. This board is applicable to DC6688F2STR.

For whole software and hardware setup to download code to device, user can refer to the manual of DC6688SLP-USB Rev3.0 or higher.

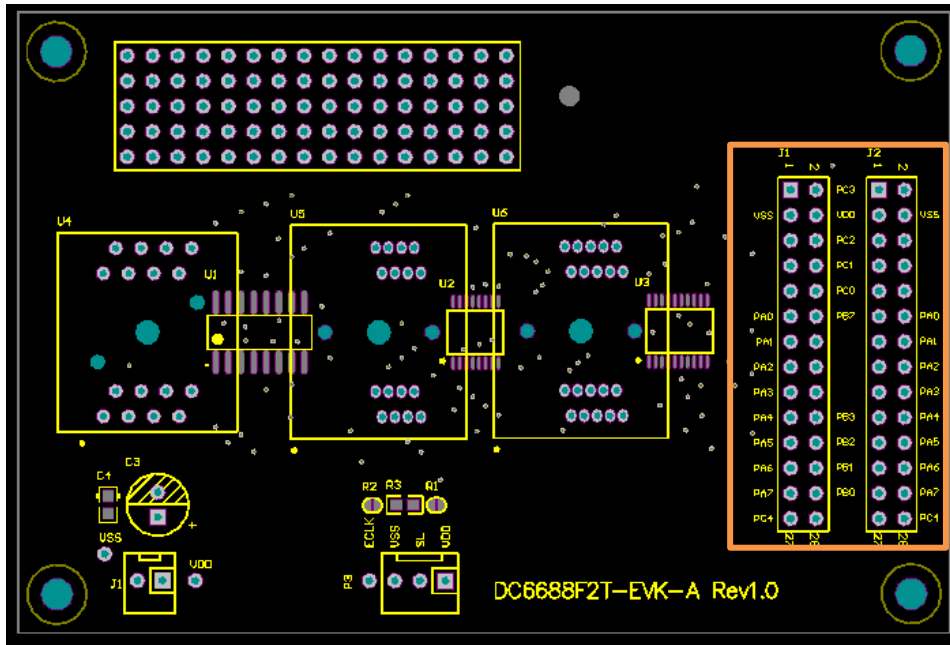
1) DC6688F2T-EVK-A Rev1.0



DC6688F2T-EVK-A Rev1.0 supports 16pin SSOP / TSSOP and 20pin TSSOP packages.

2 Pin Header to Target board

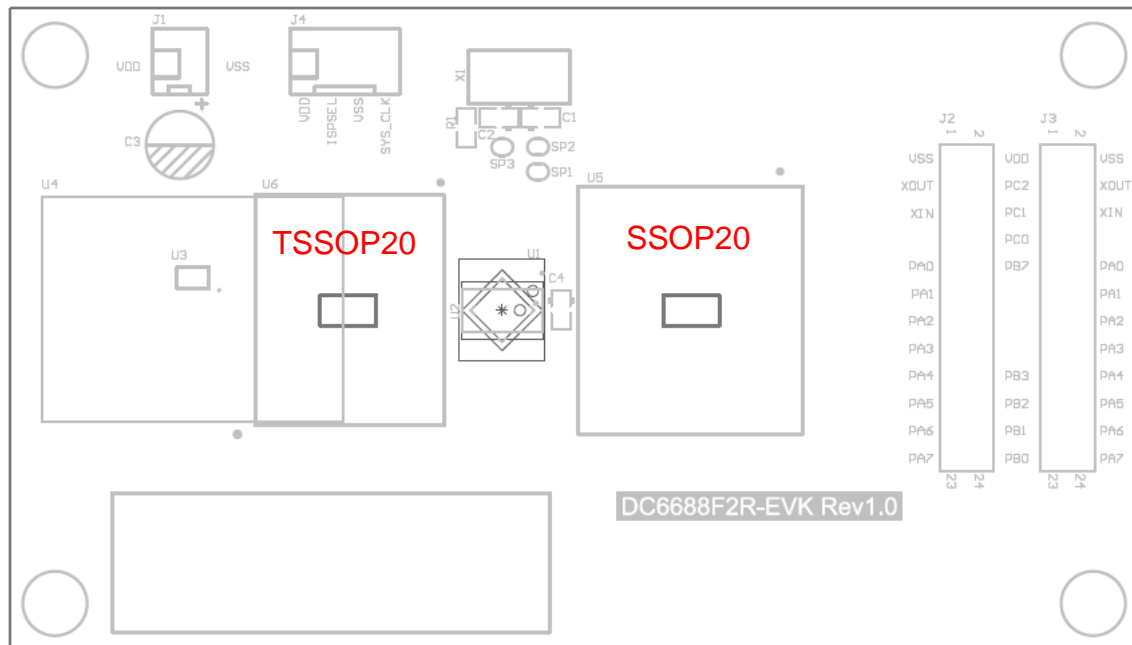
The board provides connector to customer target board as shown below.



3 IC placement

1) SSOP20

The socket for SSOP20 is shown below. The white dot marking on PCB shows the orientation of IC placement.



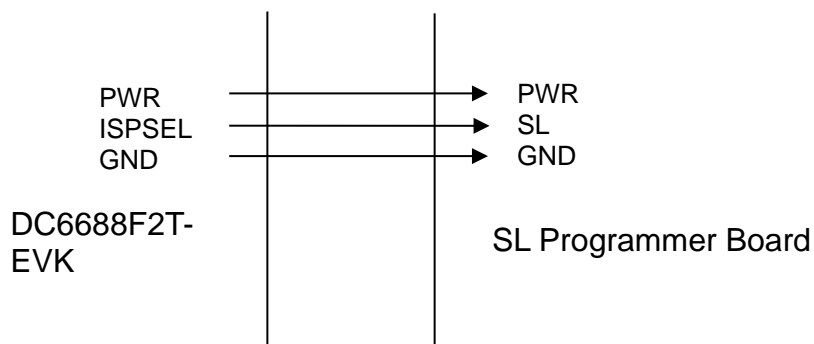
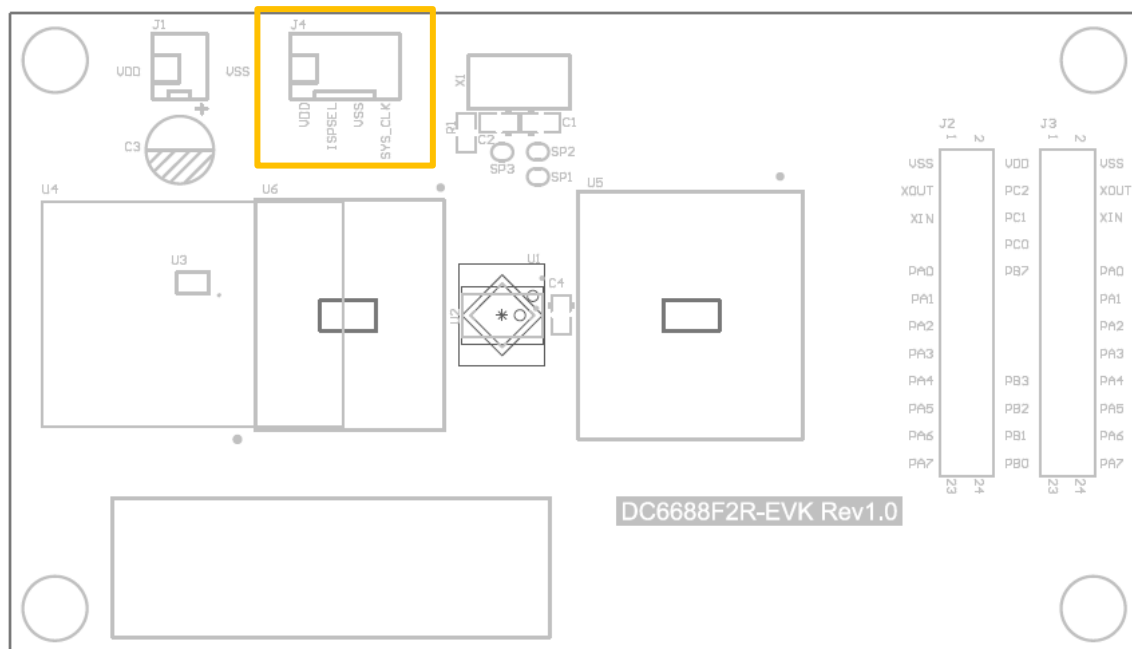
2) TSSOP20

The socket for TSSOP20 is shown above. The white dot marking on PCB shows the orientation of IC placement.

4 SL Programming

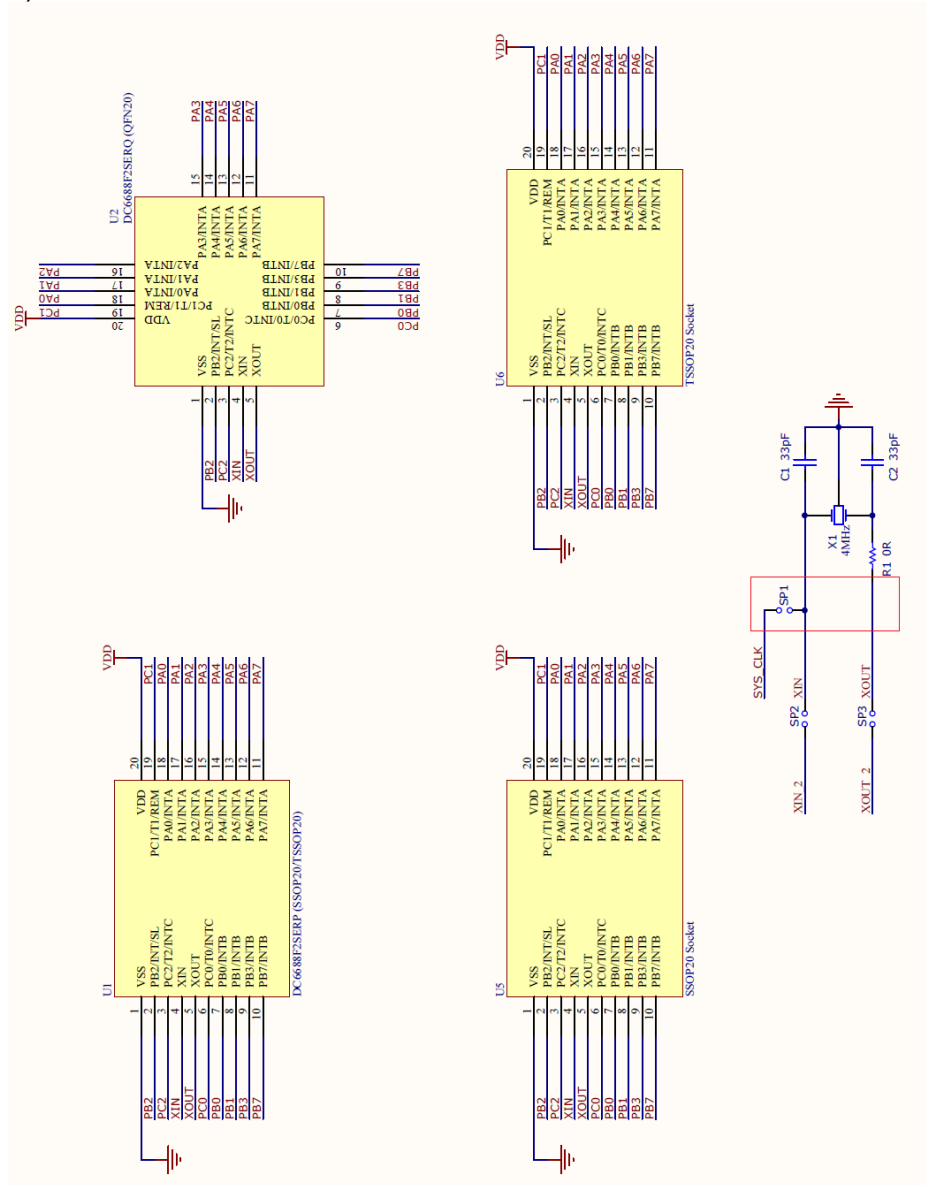
1) DC6688F2T-EVK

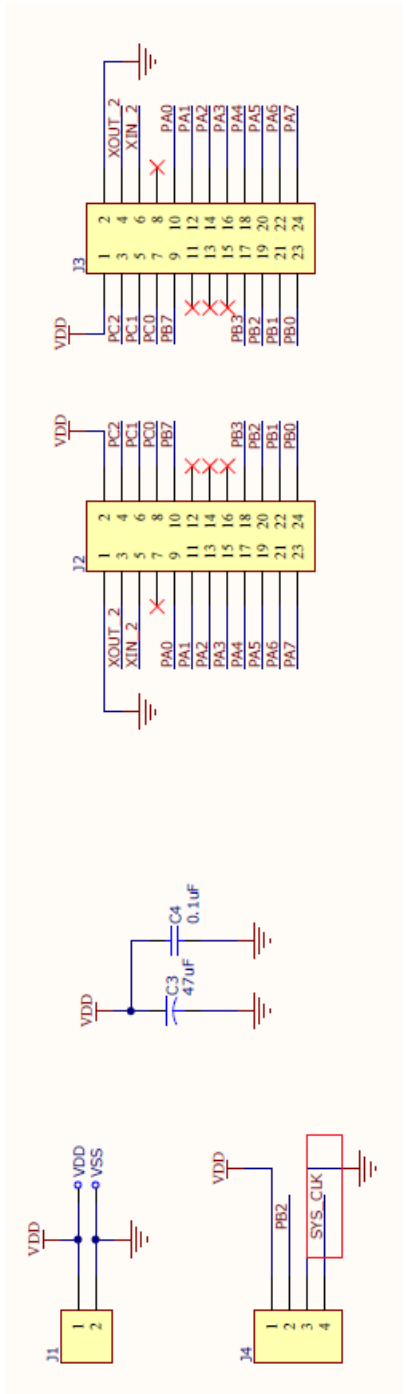
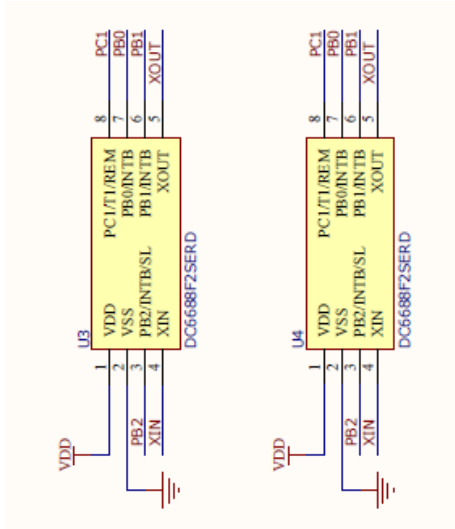
To program the IC with Single Line (SL) Programmer Board (Manual for SL Programmer Board should be referred), a 3-pin connector from the programmer board should be plugged into J4 (or J11). The 3 pins used for SL programming are GND, ISPSEL and VCC:



5 Schematics

1) DC6688F2T-EVK





Revision History

Document Rev. No.	Issued Date	Section	Page	Description	Edited By	Reviewed By
1.0	Sept, 2013			Preliminary	Danny Ho	Celia Ki

Copyright Notice

This specification is copyrighted by Dragonchip Ltd. No part of this specification may be reproduced in any form or means, without the expressed written consent Dragonchip Ltd.

Disclaimer

Dragonchip Ltd. assumes no responsibility for any errors contained herein.

Copyright by Dragonchip Ltd. All Rights Reserved.
Dragonchip Ltd.
TEL: (852) 2776-0111
FAX: (852) 2776-0996
<http://www.dragonchip.com>